

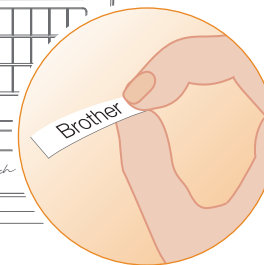
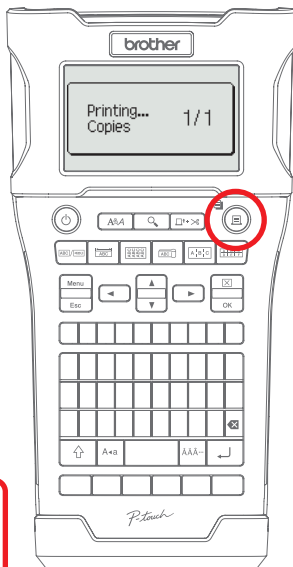
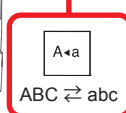
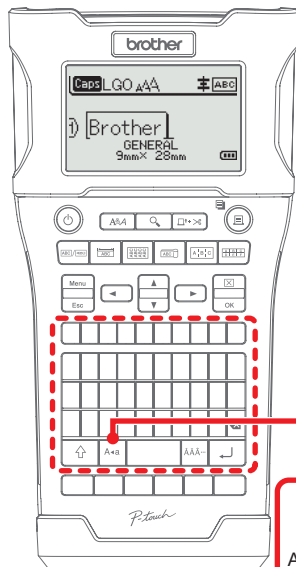
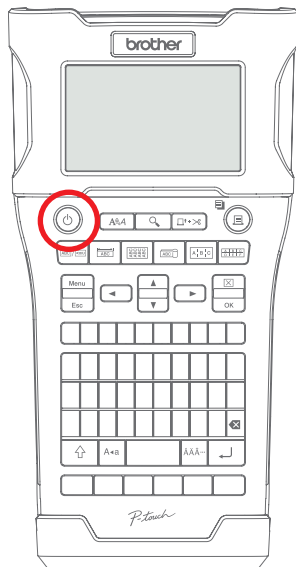
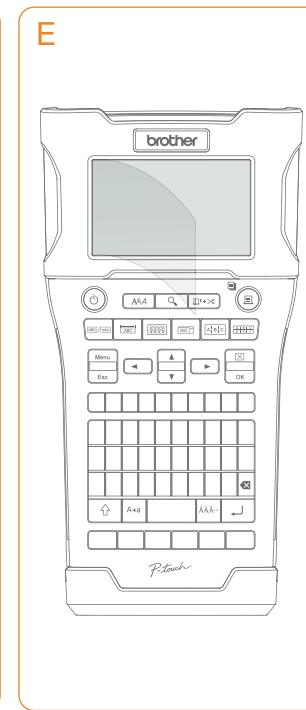
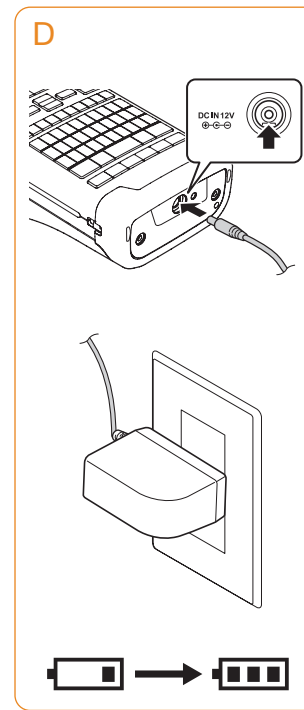
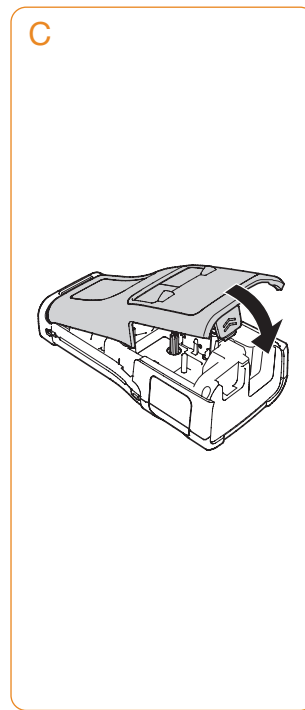
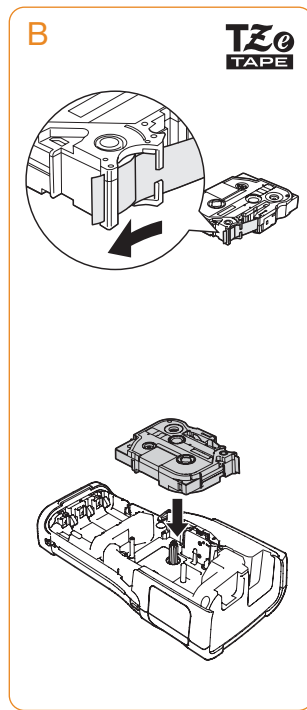
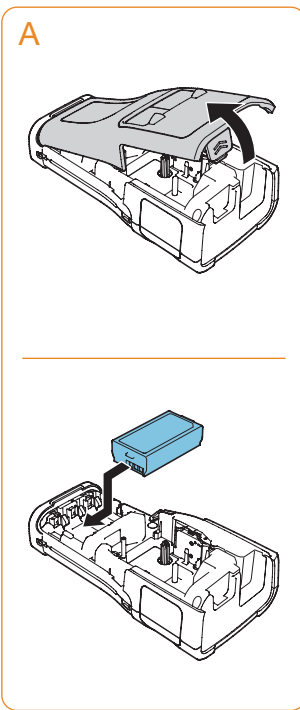
brother

P-touch E500/E550W



support.brother.com

D01J25001



- Menu
- Adjustment
Advanced
Unit
Language 08/18
- Language selection screen with OK button.
- Language list: English, Español, Français, Hrvatski, Italiano, Magyar, Nederlands, Norsk, Polski, Português, Portug. (BR), Română, Slovenski, Slovenský, Suomi, Svenska, Türkçe, Čeština, Dansk, Deutsch. Includes OK button.
- OK